

# Diaphragm type pressure gauge

## Model SDS

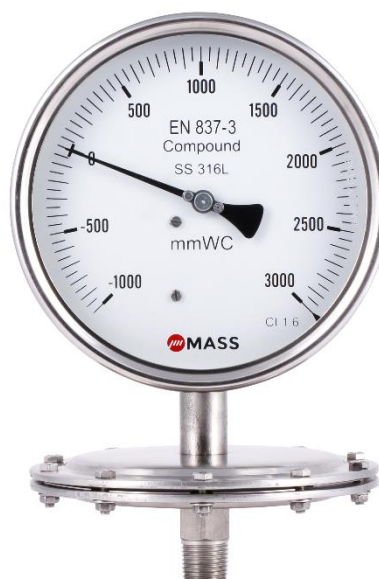
Nominal size: 100 mm (4"), 150 mm (6")  
 ASME B40.100 / EN 837-3 / IS-3624  
 Accuracy: Class 1.6 (1.6%)

### Features

- Stainless steel construction
- Suitable for corrosive environments
- Protection IP54, optional IP66
- Usable to full scale
- Overload protection 130%

### Ranges

-30 in. Hg ... 0 psi up to 0 ... 30 psi  
 -1 ... 0 bar up to 0 ... 2.5 bar & kg/cm<sup>2</sup>  
 -100 ... 0 kPa up to 0 ... 250 kPa

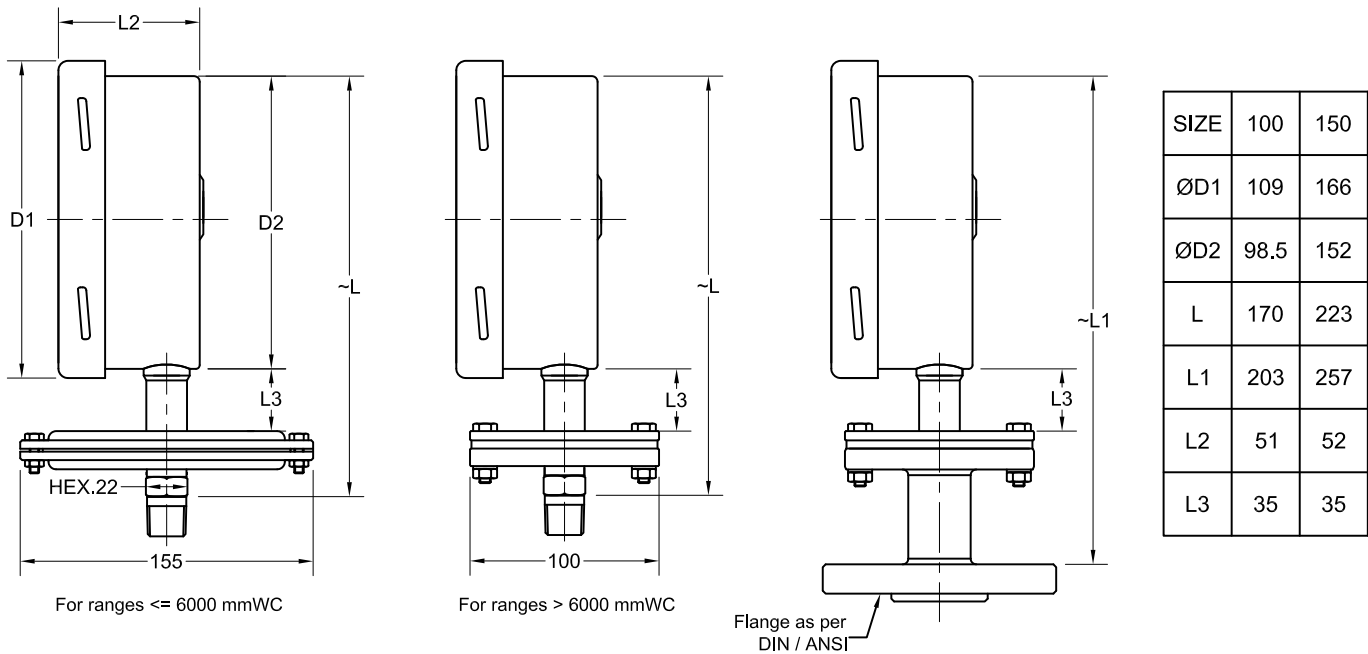


### Applications

Chemical and petrochemical industry  
 Machine and apparatus construction  
 Food and beverage industry  
 Pulp and paper industry

Technical specification	SDS	
Dial size [mm]	100	150
Construction	Open front cylindrical case, optional with blow out disc at the back	
Measuring principle	Horizontal diaphragm	
Range [mmwc]	250 400 600 1000 1600 2500 4000	
[kg/cm <sup>2</sup> (or bar)]	-250/0 -400/0 -600/0 -1000/0 -1600/0 -2500/0 -4000/0	
Overpressure limit	0,6 1,0 1,6 2,5 -1/0 -1/0,6 -1/1,5	
Pressure type	130 % F.S., short time.	
Process connection	Gauge, vacuum and compound	
Connection location	1/4" 3/8" 1/2" BSP / NPT (M), M20x1.5(M)	
Material	Direct flange as per DIN/ANSI	
Process connection	Others on request	
Connection location	Lower	
Material	Lower	
Process connection	Stainless steel 316 optional Stainless steel 316L , PTFE lined	
Diaphragm	Stainless steel 316L optional PTFE protected	
Case/bayonet ring	Stainless steel 304 optional 316L	
Window	Instrument glass optional laminated safety glass	
Dial	Aluminum, black markings on white background	
Pointer	Aluminum, black, optional micrometer adjustment	
Movement	Stainless steel 304	
Accuracy	Class 1.6 (1.6 % F.S.)	
Permissible		
Ambient temperature	-40 ... 60 °C (-40 ... 140 °F)	
Medium temperature	Max. 100 °C (212 °F)	
Storage temperature	-40 ... 60 °C (-40 ... 140 °F)	
Effect	Max. 0,5 % / 10 K	
Protection according	IP54, Optional IP65, IP66	
Mounting	Standard stem or flange	
Weight ≤ 600 mbar / > 600 mbar [kg]	1.66 / 1.26	1.99 / 1.59
Accessories, options	Valves, dampener, gauge saver, etc.	

## General dimensions in mm



## Order information

Size	Type	System material	Process connection	Rating	Facing	Range	Engineering units	Blow out/ case material	Options
(100) 100 mm	SDS	(S) Diaphragm 316L, flange 316	(04) 1/2" NPT (M)	(NA)	(T)	-250/ 0	(mmWC)	(=) Standard without blowout	(NH) Tagging wired
			(03) 3/8" NPT (M) <sup>2)</sup>			-400/ 0			
(150) 150 mm	SDS	(L) Diaphragm 316L, flange 316L	(02) 1/4" NPT (M) <sup>2)</sup>	(150) 150 lbs	(FF) Flat face <sup>1)</sup>	-600/ 0	(kg/cm <sup>2</sup> ) (bar)	(IP) Ingress protection IP65	(CS) Dual scale
			(15) 1/2" BSP (M)			-1000/ 0			
			(14) 3/8" BSP(M) <sup>2)</sup>			-1600/ 0			
			(13) 1/4" BSP(M) <sup>2)</sup>			0/ 250			
			(16) M20x1.5(M)			0/ 400			
			ANSI Flanged			0/ 600			
			(05) 1/2"			0/ 1000			
			(07) 3/4"			0/ 1600			
			(10) 1"			0/ 2500			
			(15) 1 1/2"			0/ 4000			
(20) 2"									
			DIN Flanged	(PN10)	(RF) Raised face <sup>1)</sup>			(RB) Blow out disc	(MP) Micrometer pointer
			(DN15)	(300) 300 lbs				(YW) Case material 316L (1.4404)	(SG) Safety glass
			(DN25)	(600) 600 lbs					(DA) Dial marking
			(DN40)						
			(DN50)						

Equivalent ranges in kPa, MPa, psi, bar and others on request

1) The DIN-flange facing depends on nominal size and nominal pressure 2) Not for system material (SP)

## How to order

Size	Type	System material	Process connection	Rating	Facing	Range	Engineering unit	Filling/Case material	Option
100	SDS	S	04	NA	T	0/400	MBAR	=	NH

## Precision Mass Products Pvt. Ltd.

Plot No.: 2306, G.I.D.C. Chhatral, Ta: Kalol, Dist.: Gandhinagar,

Chhatral -382729, Gujarat, India.

Telephone: +91-2764 233681/82/83

Email: sales@precisionmass.com

Fax: +91-2764-233440

www.precisionmass.com

• North Zone : sales.delhi@precisionmass.com

• East zone : sales.kolkata@precisionmass.com

• West zone : sales.mumbai@precisionmass.com

• South zone : sales.chennai@precisionmass.com