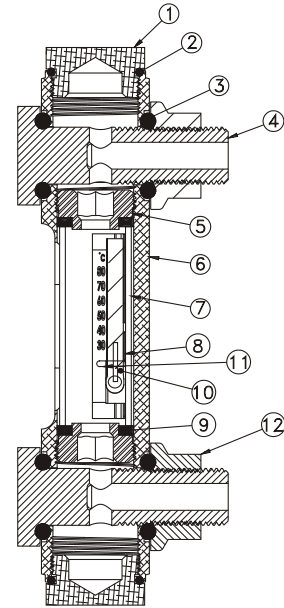
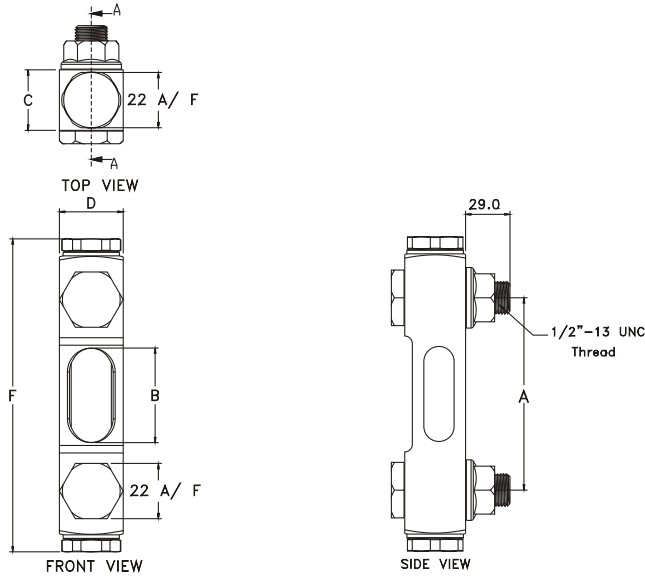


LEVEL GAUGE - LG 7



- 'O' RING TYPE CONSTRUCTION
- 4 SIZES 3", 5", 7" & 10" BETWEEN BOLT CENTRES
- FOR NON PRESSURISED TANKS ONLY
- CAN BE MOUNTED ON TAPPED HOLES
- SUITABLE FOR MINERAL / PETROLEUM BASED OILS
- MAXIMUM TEMPERATURE 100° C
- SIDE SLOTS PROVIDED FOR ADDITIONAL VIEW



SECTION A - A

LG 7 - 03 , 05 , 07 & 10

MODEL	A	B	C	D	F	WT KGS
LG7 - 03	76.20	37.65	24.10	25.40	124.60	0.23
LG7 - 05	127.00	83.00	24.10	25.40	169.00	0.23
LG7 - 07	177.80	133.80	24.10	25.40	219.80	0.28
LG7 - 10	254.00	211.00	24.10	25.40	296.00	0.41

MODEL CODE : ASSEMBLY

LG 2	- 05	T	- M 12	- X
SERIES	SIZE	FEATURE	FEATURE	FEATURE
	INCH	OPTIONAL #	SPECIAL #	OPTIONAL#
LG 7	03 - 3"	T - THERMOMETER (OMIT IF NOT REQD)	UNC - STD (1/2" - 13 UNC BOLT)	No Nuts (For Fitting On Tapped Holes)
	05 - 5"			
	07 - 7"			
	10 - 10"		M12 - OPTIONAL (M12 X 1.75 BOLT)	

NOTE : BOLT TORQUE TO BE LIMITED TO 3 FT LBS
OPTIONAL / SPECIAL FEATURE - OMIT IF NOT REQUIRED

BILL OF MATERIALS

ITEM NO.	DESCRIPTION	QTY.
1	AL PLUG M20 X 1	2
2	O RING 17x1.7, VITON	2
3	O RING 15x2.5, VITON	4
4	MS BOLT 1/2"-13 UNC, ZINC COATED	2
5	AL PLUG M18x1	2
6	AL BODY	1
7	GLASS TUBE	1
8	AL INDICATOR	1
9	RBR BUSH 10.5x3.0x2,VITON	2
10	THERMOMETER	1
11	O RING FOR THERMOMETER	1
12	MS 1/2"UNC NUT ZINC COATED	2