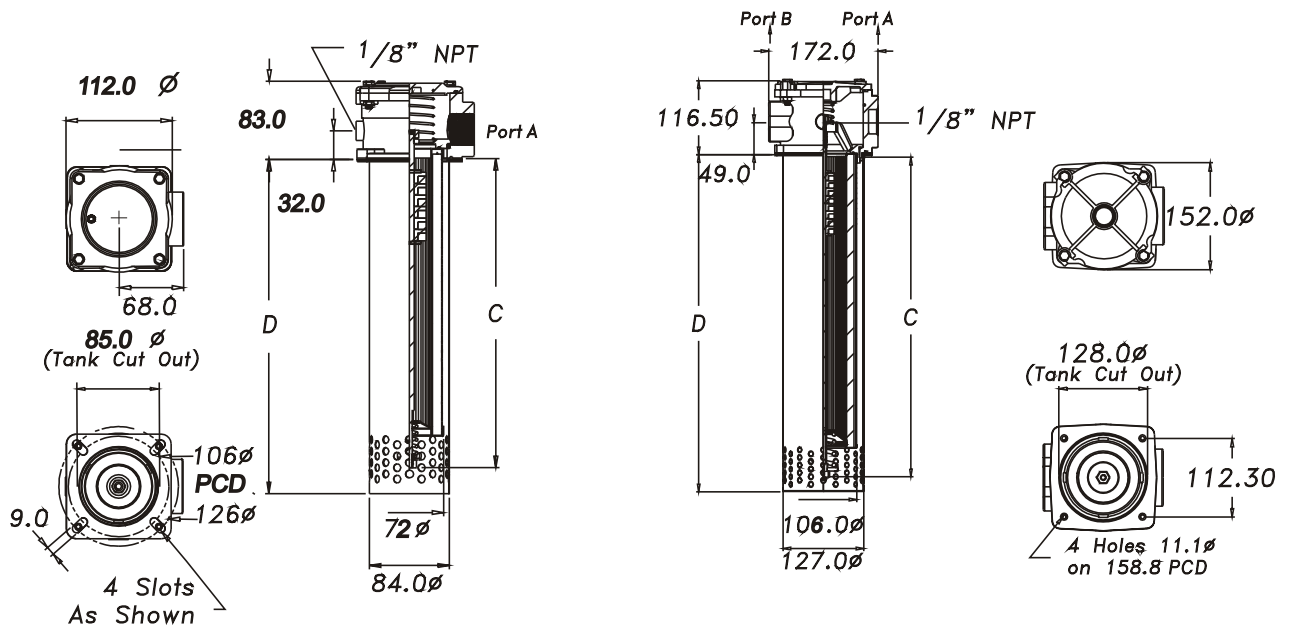


FILTER-TANK MOUNTED - JFR

- DIRECT TANK MOUNTING - FLOW IN - TO OUT
- 6 SIZES - FLOWS TO 450 LPM
- BY PASS 1 BAR (15 PSI) STANDARD
- ALUIMINIUM DIE CAST HOUSING
- MAX TEMP 80°C
- ELEMENT KIT OPTIONAL
- MAGNET BANK & DIFFUSER TUBE OPTIONAL
- WORKING PRESSURE 10 BAR / TEST PRESSURE 15 BAR / BURST PRESSURE 20 BAR



JFR1

JFR2

MODEL NO	C	D
JFR1 - 06B-L1	180	200
JFR1 - 08B-L2	230	250
JFR1 - 10B-L3	330	350

MODEL NO	C	D
JFR2 - 10B-L4	235	255
JFR2 - 12B-L5	325	320
JFR2 - 16B-L6	515	525

FILTER-TANK MOUNTED - JFR



MODEL CODE : ASSEMBLY

JFR	Size	Port B (Standard)	Port B (Standard)	- Element		Feature				
Series	Group	Size	Size	Length	- Filtration Micron	1	2	3		
						Optional# ByPass setting	DIFFUSER TUBE	MAGNET BANK		
	1	06 B - 3/4" BSPP		L1	P10-10 nom	R3-1barStd (omit if std)	D	M		
		06 N - 3/4" NPT								
		12 S - 1-1/16" UNF - 12								
		08 B - 1" BSPP		L2						
		08 N - 1" NPT								
		16 S - 1-5/16" UNF - 12								
		10 B - 1-1/4" BSPP		L3						
	10 N - 1-1/4" NPT									
	20 S - 1- 5/8" UNF - 12									
	2	10 B - 1-1/4" BSPP		K - 1-1/2" SAE FLANGE & 1-1/4" NPT T - 1-1/2" SAE FLANGE & 1-5/8"-12UN	L4				A10-10 abs	R4-1.7bar (optional)
		10 N - 1-1/4" NPT								
		20 S - 1- 5/8" UNF - 12								
		12 B - 1-1/2" BSPP			L5					
		12 N - 1-1/2" NPT								
24 S - 1- 7/8" UNF - 12										
16 B - 2" BSPP		L6								
16 N - 2" NPT										
32 S - 2-1/2" UNF - 12										

INDICATOR : OPTIONAL (TO BE ORDERED SEPERATELY)

OPTIONAL / SPECIAL FEATURE - OMIT IF NOT REQUIRED

GR VISUAL RETURN ER ELEC. RETURN

Consult Factory For Tapped Holes For Cover Bolts

Element : P10 / P25 Was 010 / 025

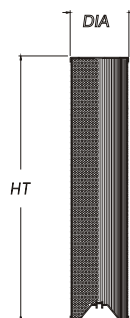
MODEL CODE : ELEMENT

JFE	- L1	- 010
SERIES	SIZE	FILTRATION μ MICRON
JFE	L1	P10 - 10 μ NOM
	L2	P25 - 25 μ NOM
	L3	A10 - 10 μ ABS
	L4	A25 - 25 μ ABS
	L5	
	L6	

OPTIONAL / SPECIAL FEATURE - OMIT IF NOT REQUIRED

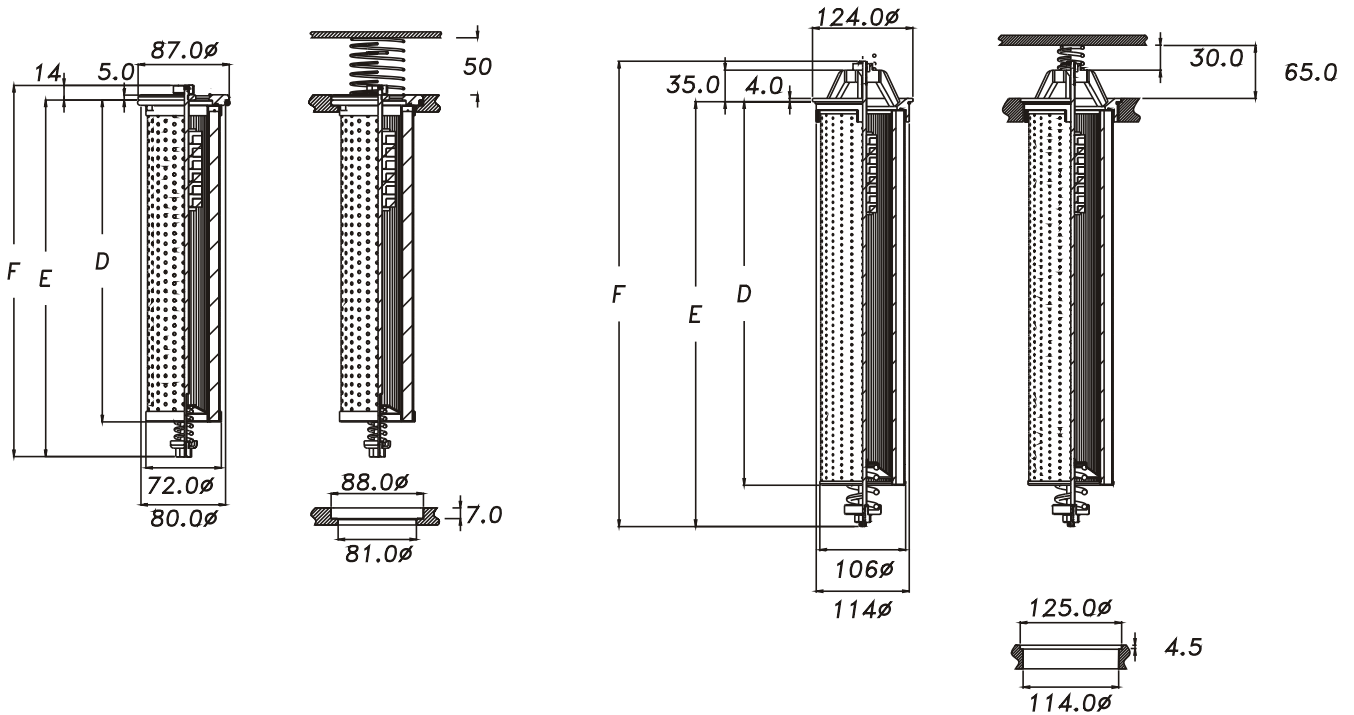
Element Details

SIZE	Dia	Ht	Area SqCm	
			P-10/25	A-10/25
JFE-L1	72	150	1800	1225
JFE-L2	72	200	2600	1700
JFE-L3	72	300	3800	2625
JFE-L4	106	190	3200	2700
JFE-L5	106	280	4600	3700
JFE-L6	106	470	6800	5400



FILTER-TANK MOUNTED - JFR

ELEMENT KIT SUB ASSEMBLY



SIZE	D	E	F
L1	150	185	210
L2	200	235	260
L3	300	335	360

SIZE	D	E	F
L4	190	240	295
L5	280	330	385
L6	470	520	575

MODEL CODE : ELEMENT KIT SUB ASSEMBLY

JFEK	- L1	- 010	- Feature
SERIES	SIZE	FILTRATION μ MICRON	Optional# ByPass setting
JFEK	L1	P10 - 10 μ NOM	R3-1barStd (omit if std)
	L2	P25 - 25 μ NOM	
	L3	P25 - 25 μ NOM	
	L4	A10 - 10 μ ABS	R4-1.7bar (optional)
	L5	A25 - 25 μ ABS	
	L6	A25 - 25 μ ABS	

MODEL CODE : SEAL KIT

SEAL KIT
JFR1 - SK
JFR2 - SK