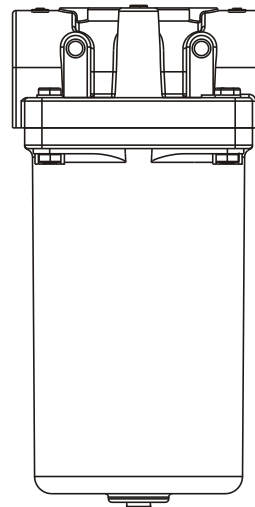
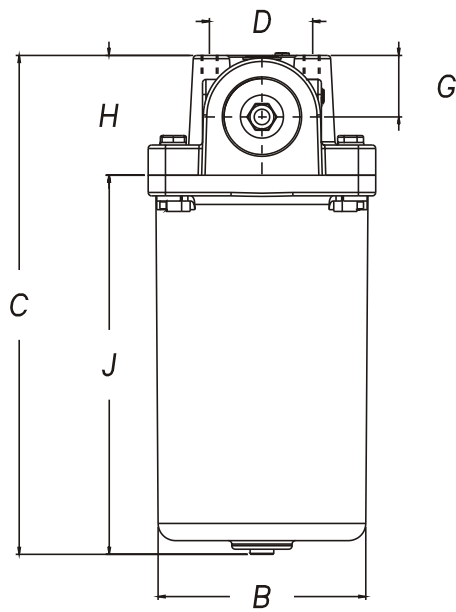
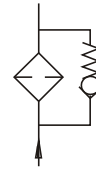
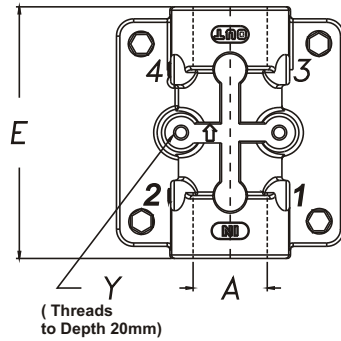


# FILTER - INLINE - HFR

- ALUMINIUM DIE CAST CONSTRUCTION
- 3 BASIC MODELS - FLOWS TO 150 LPM
- BY PASS STANDARD 1 BAR
- WORKING PRESSURE TO 20 BAR / TEST 30 BAR / BURST 40 BAR
- MAX TEMP. TO 80° C
- SUITABLE FOR MINERAL / PETROLEUM BASED OILS



MODEL	PORT 'A' BSPP	B	C	D	E	G	H	J	Y 2 OFF	WT KGS
HF * .05	1 / 2"	66	147	38	88	24	44	103	M 8x 1.25	1.0
HF * .10	3/4" 1"	88	176	44	114	27	52	125	M 8x1.25	1.6
HF * .20	1 - 1 / 4" 1 - 1 / 2"	120	290	57	145	36	70	220	M 10x1.5	3.8

# FILTER - INLINE - HFR



## MODEL CODE : ASSEMBLY

HF	R	- 05	- 04*	- 010	- **	- **	- **		
TYPE	SIZE	PORT THREAD		FILTRATION*	FEATURE 1	FEATURE 2	FEATURE 3		
				μ MICRONS	BY Pass ( OMIT IF STD)	Position Indicator Ports ( OMIT IF STD)			
R - RETURN	05	04 B	- 1/2" BSPP	P10 - 10 μ NOM	R3 - 15PSI (STD)	R-STD	2 X 1/8" NPT INLET ( 1 & 2 )		
		04 N	- 1/2" NPT						
		08 S	- 3/4" UNF - 16						
S - SUCTION	10	06 B	- 3/4" BSPP	P25 - 25 μ NOM	R4 - 25 PSI	S-STD	2 X 1/8" NPT OUTLET ( 3 & 4 )		
		06 N	- 3/4" NPT						
		12 S	- 1-1/16" UNF - 12						
B - NO BYPASS	20	08 B	- 1" BSPP	A10 - 10 μ ABS	S1 - 3PSI (STD)	B-STD	4 X 1/8" NPT INLET & OUTLET ( 1 , 2 , 3 & 4 )		
		08 N	- 1" NPT						
		16 S	- 1-5/16" UNF - 12	A25 - 25 μ ABS					
		10 B	- 1-1/4" BSPP	M149 - 149 μ MESH				X	NONE ( OPTIONAL # )
		10 N	- 1-1/4" NPT						
		20 S	- 1- 5/8" UNF - 12						
12 B	- 1-1/2" BSPP	M074 - 74 μ MESH							
12 N	- 1-1/2" NPT								
24 S	- 1- 7/8" UNF - 12								

\* Optional Filtration Mesh Elements Available **43 , 63 , 100 , 125, 300 & 575 microns** **INDICATOR** : OPTIONAL ( TO BE ORDERED SEPERATELY )

Consult Factory For HFR 20 - 1" Port Option

Consult Factory For Tapped Holes For Cover Bolts

Element : P10 / P25 Was 010 / 025

**GR** - VISUAL RETURN      **ER** - ELEC. RETURN

**GS** - VISUAL SUCTION      **ES** - ELEC. SUCTION

## MODEL CODE : ELEMENT

HFE	- 05	- 010
	SIZE	FILTRATION
		μ MICRONS
HFE	05	P10 - 10 μ NOM
		P25 - 25 μ NOM
	10	A10 - 10 μ ABS
		A25 - 25 μ ABS
	20	M149 - 149 μ MESH
		M 74 - 74 μ MESH

\* Optional Filtration Mesh Elements Available  
**M43 , M63 , M100 , M125, M300 & M575 microns**

## MODEL CODE : SEALING KIT

HFR	- 05	- SK	- **
	SIZE	SEAL KIT	FEATURE
			# OPTIONAL
HFR	05	SK	
	10	SK	
	20	SK	

# OPTIONAL / SPECIAL FEATURE - OMIT IF NOT REQUIRED

### Element Details

SIZE	P/A	M	Area SqCm				
	D φ	D φ	B φ	H	P-10/25	A-10/25	M - ***
HFE - 05	52	52	25	90	920	655	360
HFE - 10	72	66	34	109	2205	1575	560
HFE - 20	100	85	51	200	7235	5150	1800

**M \*\*\* All Mesh Elements**

CONSULT FACTORY FOR ANY OTHER REQUIREMENT

