

# BREATHER - MBT / F



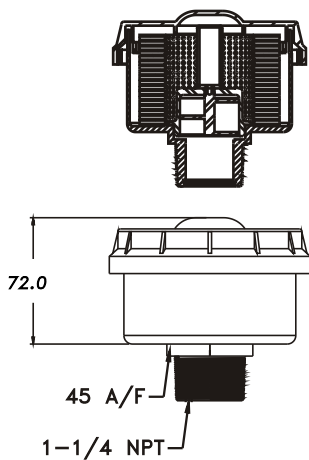
- PLASTIC BREATHER - FOR MOBILE APPLICATION
- FILTRATION 10 MICRONS STANDARD
- AIR FLOWS TO 25 CFM ( 750 LPM )
- RUGGED NYLON HOUSING
- FILLER STRAINER ( MBF MODEL )
- HARDWARE INCLUDES GASKET
- SPLASH GUARD FEATURE STANDARD



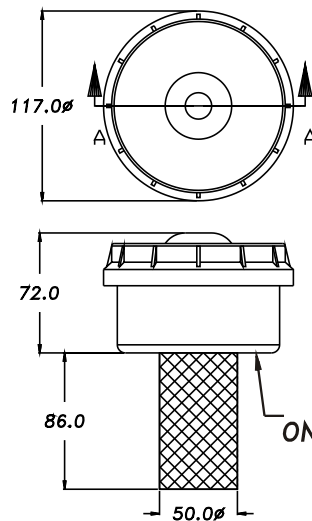
MBT



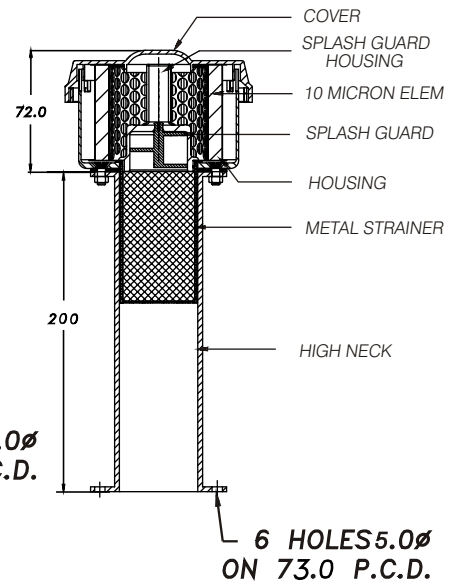
MBF



MBT



MBF



MBF-HN

## MODEL CODE - ASSEMBLY.

MB F	- 10N	- P 10	- SG	- **
SERIES	THREAD	ELEMENT FILTRATION	SPLASH GUARD	SPECIAL FEATURE
F - FLANGE	NOT APPLICABLE	P10 - 10 μ NOM (STD)	SG - OPTIONAL	HN8 - 200mm
		P03 - 25 μ NOM		
T - THREADED	10N - 1 -1/4 " NPT	A10 - 10 μ ABS		
		S 40 - 40 μ SPONGE		



MBF-HN

MODEL ( ELEMENT ) : - MBE - P 10