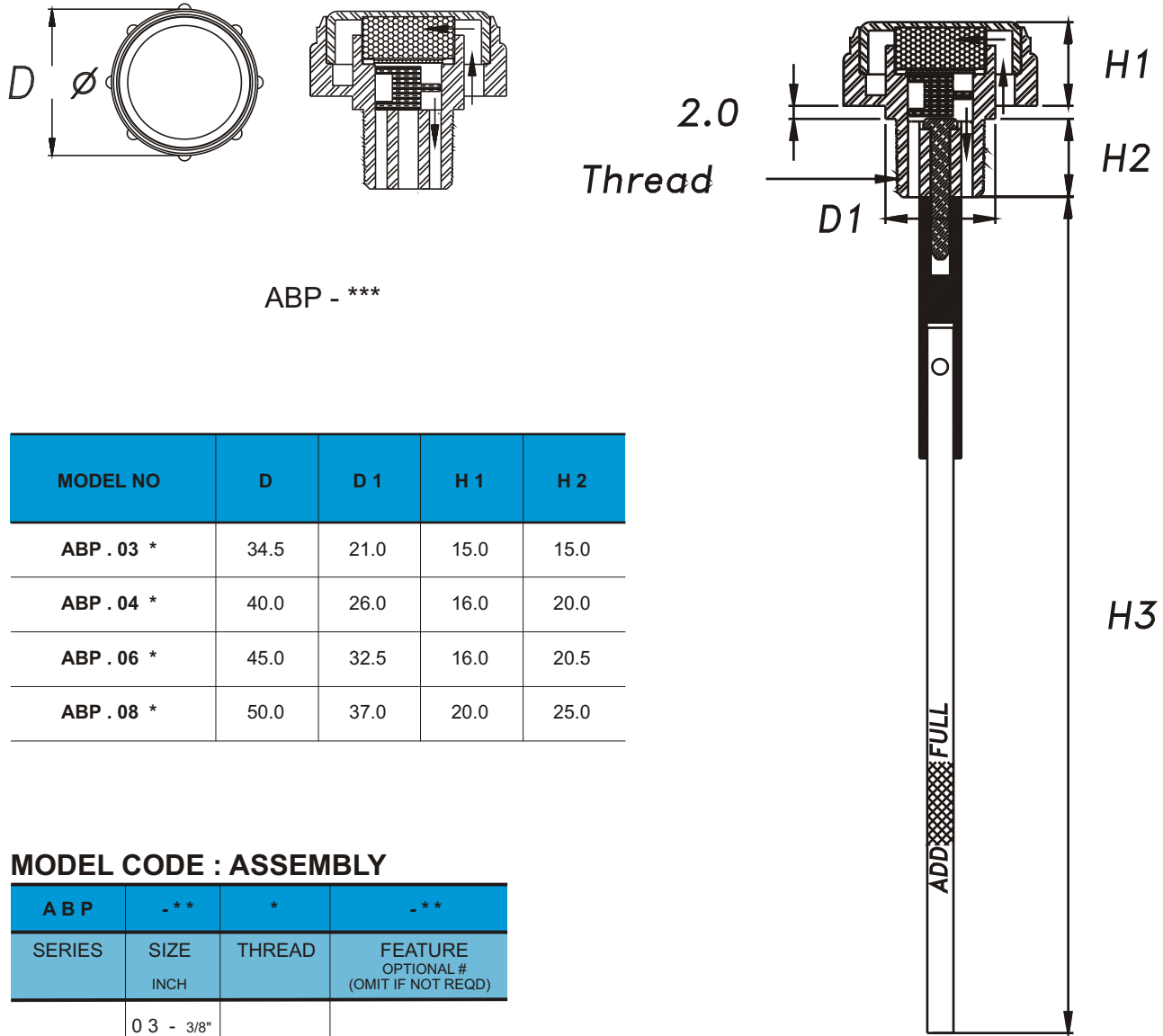


# BREATHER - ABP

- STURDY CONSTRUCTION ( ABS )
- VENTS UNDERNEATH
- SPLASH GUARD STANDARD
- FILTRATION 40 MICRONS
- SUITABLE FOR MINIATURE POWER PACKS
- DIP STICK OPTIONAL
- CONSULT FACTORY FOR OEM BULK CUSTOM REQUIREMENT



ABP - \*\*\*

MODEL NO	D	D 1	H 1	H 2
ABP . 03 *	34.5	21.0	15.0	15.0
ABP . 04 *	40.0	26.0	16.0	20.0
ABP . 06 *	45.0	32.5	16.0	20.5
ABP . 08 *	50.0	37.0	20.0	25.0

## MODEL CODE : ASSEMBLY

ABP	- **	*	- **
SERIES	SIZE INCH	THREAD	FEATURE OPTIONAL # (OMIT IF NOT REQD)
ABP	03 - 3/8"	B - BSPP	DS4 - DIP STICK 4"
	04 - 1/2"		DS6 - DIP STICK 6"
	06 - 3/4"	N - NPT	DS8 - DIP STICK 8"
	08 - 1"		( Ref - H3 )

CONSULT FACTORY FOR OPTIONAL THREADS / DIP STICK

ABP - \*\*\* - DS \*