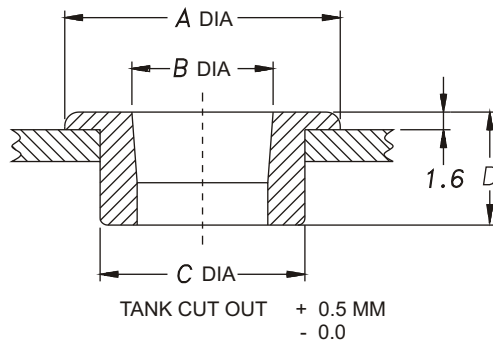


RUBBER BUSHINGS - GMT



- RUBBER BUSHES IN NITRILE RUBBER
- SEALS PIPES PASSING THROUGH TANK TOP COVER PLATE
- 1/8" TO 2" PIPE & TUBE DIAMETERS
- COMPATIBLE WITH MINERAL & PETROLEUM BASED FLUIDS
- REDUCES VIBRATION & NOISE
- NOT TO USE BELOW OIL LEVEL
- AVAILABLE IN PACK OF 5 PIECES EACH SIZE



MODEL	B		B MM	A		C		D		WEIGHT	
	PIPE	TUBE		INS	MM	INS	MM	INS	MM	LBS	KG
GMT - 01		1/4"	6	1.2	30	0.7	18.3	0.7	18	0.02	0.007
GMT - 02			8	1.2	30	0.7	18.3	0.7	18	0.02	0.007
GMT - 03		3/8"		1.2	30	0.7	18.3	0.7	18	0.02	0.007
GMT - 04	1/8"		10	1.2	30	0.7	18.3	0.7	18	0.01	0.006
GMT - 05		1/2"	12	1.2	30	0.7	18.3	0.7	18	0.01	0.006
GMT - 06	1/4"		14	1.6	40	1.1	28.5	0.9	24	0.40	0.180
GMT - 07			15	1.6	40	1.1	28.5	0.9	24	0.37	0.170
GMT - 08		5/8"	16	1.6	40	1.1	28.5	0.9	24	0.35	0.160
GMT - 09	3/8"			1.6	40	1.1	28.5	0.9	24	0.35	0.160
GMT - 10			18	1.6	40	1.1	28.5	0.9	24	0.35	0.160
GMT - 11		3/4"		1.6	40	1.1	28.5	0.9	24	0.33	0.150
GMT - 12			20	1.6	40	1.1	28.5	0.9	24	0.29	0.130
GMT - 13	1/2"			1.6	40	1.1	28.5	0.9	24	0.26	0.120
GMT - 14		7/8"	22	1.6	40	1.1	28.5	0.9	24	0.26	0.120
GMT - 15			25	2.2	55	1.7	42.5	0.9	24	0.71	0.320
GMT - 16	3/4"			2.2	55	1.7	42.5	0.9	24	0.66	0.300
GMT - 17			28	2.2	55	1.7	42.5	0.9	24	0.64	0.290
GMT - 18			30	2.2	55	1.7	42.5	0.9	24	0.57	0.206
GMT - 19		1-1/4"		2.2	55	1.7	42.5	0.9	24	0.53	0.240
GMT - 20	1"			2.2	55	1.7	42.5	0.9	24	0.46	0.210
GMT - 21			35	2.2	55	1.7	42.5	0.9	24	0.40	0.180
GMT - 22		1-1/2"	38	2.8	70	2.3	58.5	0.9	24	1.32	0.600
GMT - 23			42	2.8	70	2.3	58.5	0.9	24	0.97	0.440
GMT - 24	1-1/4 "			2.8	70	2.3	58.5	0.9	24	0.95	0.430
GMT - 25	1-1/2 "			2.8	70	2.3	58.5	0.9	24	0.71	0.320
GMT - 26		2"	50	2.8	70	2.3	58.5	0.9	24	0.60	0.270
GMT - 27	2 "			2.8	80	2.3	68.5	0.9	24	0.68	0.310

DIMENSIONS IN MM FOR REFERENCE ONLY